



www.zemic.nl

Model: **L6Q**

Platform Cell

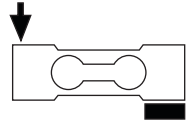


RoHS



## Features

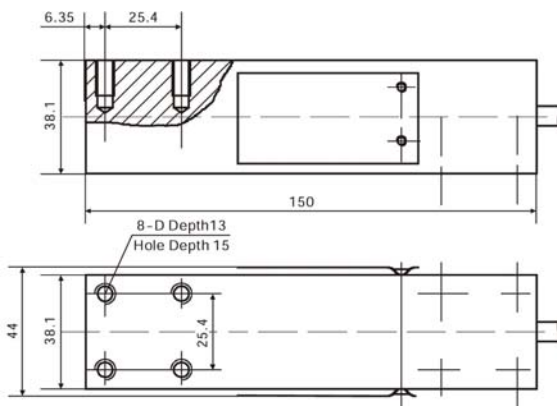
- Capacities: 50kg ~ 250kg
- High accuracy
- Aluminum parallel beam construction
- Max. platform size: 400 × 400
- With OIML approval: (PTB: D09-07.06)



## Specifications

Capacity	kg	50 / 100 / 150 / 200 / 250		
Output Sensitivity	mv/v	2.0 ± 0.2		
Accuracy Class		<b>C3D</b>	<b>C3</b>	<b>C3G</b>
Max. Number of Verification Intervals		2500	3000	4000
Minimum Loadcell Verification Interval	g	E <sub>max</sub> /5000	E <sub>max</sub> /7000	E <sub>max</sub> /11000
Temperature Effect on Zero	%FS/10°C	≤ ± 0.0280	≤ ± 0.0200	≤ ± 0.0127
Temperature Effect on Sensitivity	%FS/10°C	≤ ± 0.0210	≤ ± 0.0175	≤ ± 0.0131
Combined Error	%FS	≤ ± 0.0300	≤ ± 0.0200	≤ ± 0.0150
Creep	%FS	≤ ± 0.0200	≤ ± 0.0167	≤ ± 0.0125
Input Resistance	Ω	406 ± 6		
Output Resistance	Ω	350 ± 3		
Insulation Resistance	MΩ	≥ 5000		
Zero Balance	%FS	2		
Temperature, Compensated	°C	-10 ~ +40		
Temperature, Operating	°C	-20 ~ +50		
Excitation, Recommended	v	5 ~ 15		
Safe Overload	%FS	150		
Ultimate Overload	%FS	300		

## Dimension

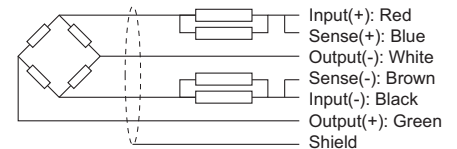


Note: Dimensions in millimeters

Screw hole	Metric	Imperial
M	M6	1/4-20UNC-2B

### Wiring:

Cable length: 3.0 ± 0.05 m.  
Cable diameter: 5.0 ± 0.2 mm.



گروه مهندسين  
**عمران و صنايع ايران**  
(شرکت سهامی خاص)

WWW.OSIMA.IR  
تلفن: ۰۲۱-۸۸۷۱۱۹۷ - ۸۸۷۱۱۴۱