



Model: **HM9B**

Double Ended Beam

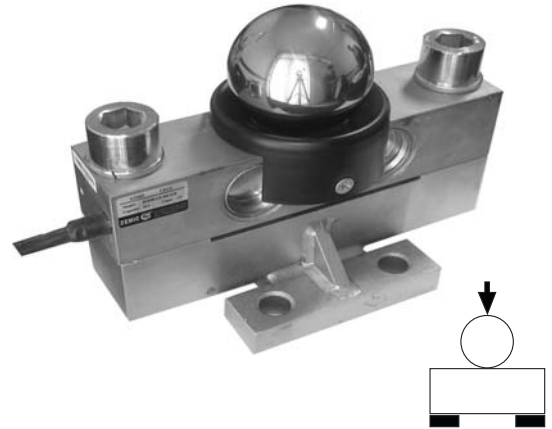


RoHS



Features

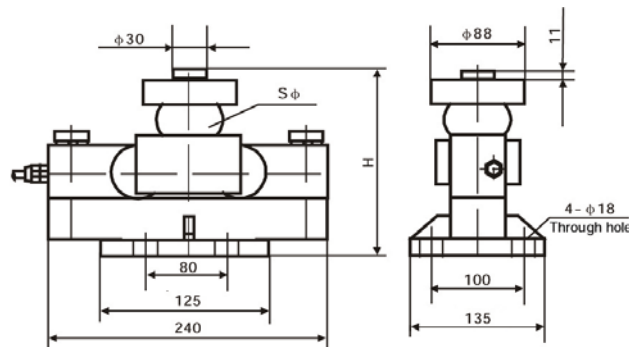
- Capacities: 10t ~ 40t
- High accuracy
- Alloy steel construction
- Easy installation and reliable performance
- With OIML approval: (PTB: D09-06.08)



Specifications

Capacity	t	10/20/25/30/40		
Accuracy Class		C1	C2	C3
Max. Number of Verification Intervals	n_{max}	1000	2000	3000
Minimum Loadcell Verification Interval	V_{min}	$E_{max}/3000$	$E_{max}/5000$	$E_{max}/7500$
Combined Error	%FS	$\leq \pm 0.050$	$\leq \pm 0.030$	$\leq \pm 0.020$
Creep	%FS/30min	$\leq \pm 0.038$	$\leq \pm 0.023$	$\leq \pm 0.016$
Temperature Effect on Sensitivity	%FS/10°C	$\leq \pm 0.028$	$\leq \pm 0.017$	$\leq \pm 0.011$
Temperature Effect on Zero	%FS/10°C	$\leq \pm 0.047$	$\leq \pm 0.029$	$\leq \pm 0.019$
Output Sensitivity	mv/v	2.0 \pm 0.002		
Input Resistance	Ω	700 \pm 7		
Output Resistance	Ω	703 \pm 4		
Insulation Resistance	M Ω	$\geq 5000(50VDC)$		
Zero Balance	%FS	1.5		
Temperature, Compensated	°C	-10 ~ +40		
Temperature, Allowed	°C	-35 ~ +65		
Excitation, Recommended	v	5 ~ 12(DC)		
Excitation, Max	v	18(DC)		
Safe Overload	%FS	120		
Ultimate Overload	%FS	150		

Dimension

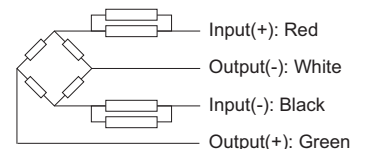


Note: Dimensions in millimeters

Capacity	H	S
10 t	195	50
20~40 t	225	76

Wiring:

Standard cable length: 12m.



گروه مهندسين
عمران و صنايع ايران
(شرکت سهامی خاص)



WWW.OSIMA.IR

تلفن: ۸۸۷۸۸۹۷ - ۸۸۷۸۸۴۱

Zemic Europe