



Model: **L6N**
Platform Cell



Features

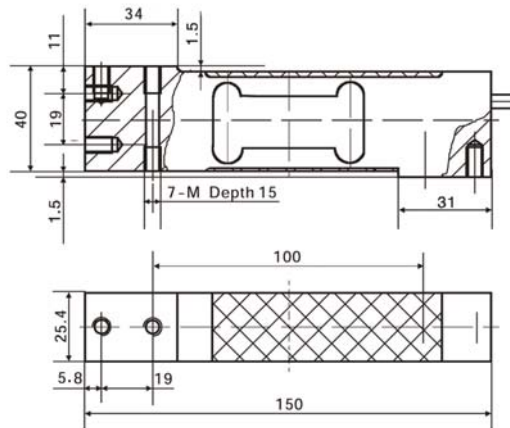
- Capacities: 3kg ~ 100kg
- High accuracy
- Aluminum cantilever beam structure
- Max. platform size: 400 × 400
- With OIML approval: (PTB: D09-06.11)



Specifications

Capacity	kg	3 / 5 / 8 / 10 / 15 / 20 / 30 / 50 / 75 / 100		
Output Sensitivity	mv/v	2.0 ± 0.2		
Accuracy Class		C3D	C3	C3G
Max. Number of Verification Intervals		2500	3000	4000
Minimum Loadcell Verification Interval	g	E _{max} /5000	E _{max} /7000	E _{max} /11000
Temperature Effect on Zero	%FS/10°C	≤ ± 0.0280	≤ ± 0.0200	≤ ± 0.0127
Temperature Effect on Sensitivity	%FS/10°C	≤ ± 0.0210	≤ ± 0.0175	≤ ± 0.0131
Combined Error	%FS	≤ ± 0.0300	≤ ± 0.0200	≤ ± 0.0150
Creep	%FS	≤ ± 0.0200	≤ ± 0.0167	≤ ± 0.0125
Input Resistance	Ω	406 ± 6		
Output Resistance	Ω	350 ± 3		
Insulation Resistance	MΩ	≥ 5000		
Zero Balance	%FS	2		
Rated Temperature	°C	-10 ~ +40		
Temperature, Operating	°C	-20 ~ +50		
Excitation, Recommended	v	5 ~ 15		
Safe Overload	%FS	150		
Ultimate Overload	%FS	300		

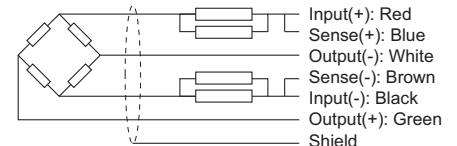
Dimension



Note: Dimensions in millimeters

	Metric	Imperial
M	M6	1/4-20UNC

Wiring:
Cable length: 3.0 ± 0.1 m.
Cable diameter: 5.0 ± 0.2 mm.



گروه مهندسين
عمران و صنايع ايران
(شرکت سهامی خاص)

WWW.OSIMA.IR
تلفن: ۸۸۷۸۱۱۹۷ - ۸۸۷۸۱۱۶۱