



Model: **BM14A**

Compression Cell

RoHS



Features

- Capacities: 10t ~ 100t
- High accuracy
- Four columns construction
- Total Stainless steel construction
- Easy installation and reliable performance
- With OIML approval: (PTB: D09-07.01)

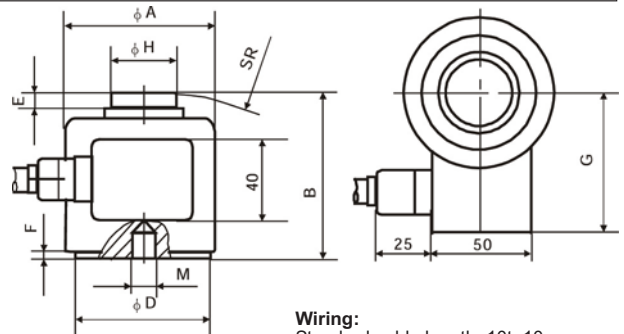


Specifications

Capacity	t	10 / 25 / 40 / 60 / 100	
Approvals		C2	C3
Max. Number of Verification Intervals	n_{max}	2000	3000
Minimum Loadcell Verification Interval	V_{min}	$E_{max}/5000$	$E_{max}/7500$
Combined Error	%FS	$\leq \pm 0.030$	$\leq \pm 0.020$
Creep	%FS/30min	$\leq \pm 0.023$	$\leq \pm 0.016$
Temperature Effect on Sensitivity	%FS/10°C	$\leq \pm 0.017$	$\leq \pm 0.011$
Temperature Effect on Zero	%FS/10°C	$\leq \pm 0.029$	$\leq \pm 0.019$
Output Sensitivity	mv/v	2.0 ± 0.002	
Input Resistance	Ω	450 ± 4.5	
Output Resistance	Ω	480 ± 4.8	
Insulation Resistance	M Ω	≥ 5000(50VDC)	
Zero Balance	%FS	1.0	
Temperature, Compensated	°C	-10 ~ +40	
Temperature, Allowed	°C	-40 ~ +80	
Excitation, Recommended	V	5 ~ 12(DC)	
Excitation, Max	V	18(DC)	
Safe Overload	%FS	150	
Ultimate Overload	%FS	300	

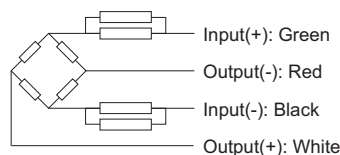
Dimension

Capacity	10,25 t	40,60 t	100 t
A	73	105	151.4
B	82.5	127	184.2
C	38.23	65.07	87.35
D	58	82.5	123.8
E	7.75	9.4	23.15
F	2.6	4	3.7
G	64	87	108
H	31.8	58.7	79.4
M	M12×1.75	M20×2.5	M20×2.5
SR	152	152	432



Note: Dimensions in millimeters

Wiring:
Standard cable length: 10t: 10m
25-100t: 20m



گروه مهندسين
عمران و صنايع ايران
(شرکت سهامی خاص)

WWW.OSIMA.IR
تلفن: ۸۸۷۸۸۹۷ - ۸۸۷۸۸۴۱