



Model: **BM11**

Single Ended Beam



Features

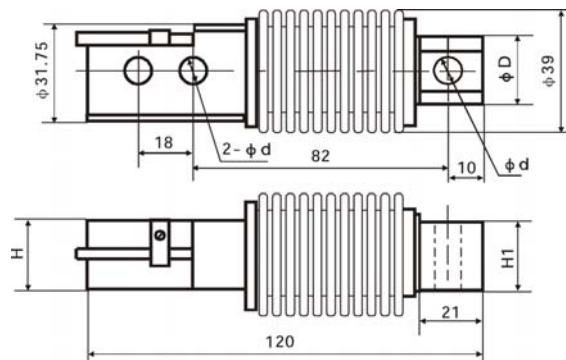
- Capacities: 20kg ~ 500kg
- High accuracy
- Stainless steel construction
- Low profile and nice exterior
- With OIML approval: (PTB: D09-06.44)



Specifications

Capacity	kg	20 / 30 / 50 / 100 / 200 / 350 / 500		
Accuracy Class		C2	C3	C4
Max. Number of Verification Intervals	n_{max}	2000	3000	4000
Minimum Loadcell Verification Interval	V_{min}	$E_{max}/5000$	$E_{max}/7500$	$E_{max}/14000$
Combined Error	%FS	$\leq \pm 0.030$	$\leq \pm 0.020$	$\leq \pm 0.018$
Creep	%FS/30min	$\leq \pm 0.023$	$\leq \pm 0.016$	$\leq \pm 0.012$
Temperature Effect on Sensitivity	%FS/10°C	$\leq \pm 0.017$	$\leq \pm 0.011$	$\leq \pm 0.009$
Temperature Effect on Zero	%FS/10°C	$\leq \pm 0.029$	$\leq \pm 0.019$	$\leq \pm 0.010$
Output Sensitivity	mv/v	2.0 ± 0.02		
Input Resistance	Ω	430 ± 50		
Output Resistance	Ω	351 ± 2.0		
Insulation Resistance	M Ω	$\geq 5000(50VDC)$		
Zero Balance	%FS	1.0		
Temperature, Compensated	°C	-10 ~ +40		
Temperature, Allowed	°C	-35 ~ +65		
Excitation, Recommended	v	5 ~ 12(DC)		
Excitation, Max	v	18(DC)		
Safe Overload	%FS	120		
Ultimate Overload	%FS	150		

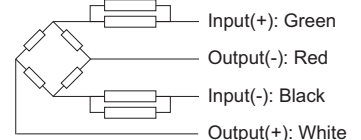
Dimension



Note: Dimensions in millimeters

Capacity	d	D	H1	H
20-200 kg	8.2	23	20	20
350-500kg	10.3	24	19	20

Wiring:
Standard cable length: 3m.



گروه مهندسين
عمران و صنايع ايران
 (شرکت سهامی خاص)

 WWW.OSIMA.IR
 تلفن: ۸۸۷۸۸۹۷ - ۸۸۷۸۸۶۱