



Model: **L6T**  
Platform Cell

RoHS

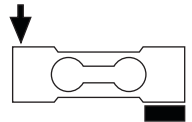


## Features

- Capacities: 50kg ~ 1000kg
- High accuracy
- Aluminum cantilever beam structure
- Max. platform size: 800 × 800
- Integral installation

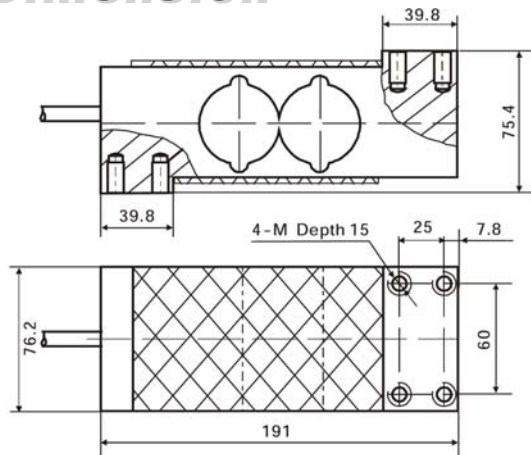


## Specifications



Capacity	kg	50 / 75 / 100 / 150 / 200 / 250 / 300 / 500 / 635 / 1000		
Output Sensitivity	mv/v	2.0 ± 0.2		
Accuracy Class		<b>C3D</b>	<b>C3</b>	<b>C3G</b>
Max. Number of Verification Intervals		2500	3000	4000
Minimum Loadcell Verification Interval	g	E <sub>max</sub> /5000	E <sub>max</sub> /7000	E <sub>max</sub> /11000
Temperature Effect on Zero	%FS/10°C	≤ ± 0.0280	≤ ± 0.0200	≤ ± 0.0127
Temperature Effect on Sensitivity	%FS/10°C	≤ ± 0.0210	≤ ± 0.0175	≤ ± 0.0131
Combined Error	%FS	≤ ± 0.0300	≤ ± 0.0200	≤ ± 0.0150
Creep	%FS	≤ ± 0.0200	≤ ± 0.0167	≤ ± 0.0125
Input Resistance	Ω	409 ± 6		
Output Resistance	Ω	350 ± 3		
Insulation Resistance	MΩ	≥ 5000		
Zero Balance	%FS	2		
Temperature, Compensated	°C	-10 ~ +40		
Temperature, Operating	°C	-20 ~ +50		
Excitation, Recommended	v	5 ~ 15		
Safe Overload	%FS	150		
Ultimate Overload	%FS	300		

## Dimension

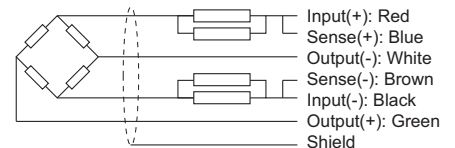


Note: Dimensions in millimeters

	Metrical	Imperial
M	M	5/16-18UNC

### Wiring:

Cable length: 3.0 ± 0.1 m.  
Cable diameter: 5.0 ± 0.2 mm.



گروه مهندسين  
عمران و صنايع ايران  
(شرکت سهامی خاص)



WWW.OSIMA.IR

تلفن: ۰۰۷۱۱۱۹۷ - ۰۰۷۱۱۱۴۱